

To:  
Attn:  
Subject: 40 ton piling rig  
Reference:  
January 2019, IJmuiden  
Dear,

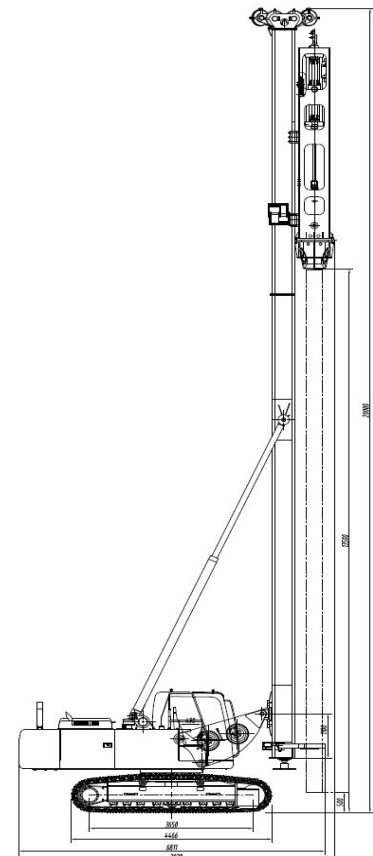
## PILING EQUIPMENT

we are very pleased to offer you the new 40ton piling rig.

This machine is build in 2015 and still complete new, never used and parked insde the factory building. Has 0 working hours. and can be used with a 2015 brand new 4T Hydraulic impact hammer wich is also direct available. if a diesel impact hammer is required we deliver also new or used diesel hammers.



Brand	*
Type	40 T
Type machine	Piling rig (for hydraulic or diesel impact hammer
Leader length	18,1 m (1,35m leader up = total 19,45 m)
Leader section lengths	11,5 + 2 + 4,5 m
Max pile length	13,5m
Weight excl Hammer	appr. 37 t
Year of construction	2015
Hour count January 2019	0
Machine Certification	NO CE certification
Capacity pullup wicn (hammer)	4 t (single line) max 8 t 2part (Free fall winch)
Speed pullup winch (hammer)	70 m/min (single line)
Capacity Auxiliary wicn (pile)	4 t (single line) max 8 t 2part (Free fall winch)
Speed Auxiliary winch (pile)	70 m/min (single line)
Maximum inclination forward	3,5 degree
Maximum inclination backward	22,5 degree
Maximum sideway correction	3 degree
Sliding brace (spotter)	Not available
Diesel engine	Cummins 6BTAA 5.9 C150
Diesel engine output	117 KW
Operational width	3180 mm
Transport width	3180
Transport height (with 4t hammer)	3100 mm (4062 mm)
Transport length (with 4t hammer)	13800 mm (14500 mm)



\* all specifications above are concept and subject to change\*

IBAN: NL24INGB 0009028930 EUR

KVK: 72586796

BIC: INGBNL2A

VAT:NL859163878 B01

All our quotations, all orders placed with us, are subjected to the METAALUNIE CONDITIONS  
Products you purchase remains property of DPE till entire invoice amount is paid

## Pricing & Delivery

- |    |   |                               |
|----|---|-------------------------------|
| 1: | <b>40 ton piling rig 2015 (0 hours)</b>             | <b>EUR. Request for price</b> |
| 2: | <b>4 ton hydraulic impact hammer 2015 (0 hours)</b> | <b>EUR. Request for price</b> |

### Note!

The piling rig has no european CE certification. Both are brand new and never used.

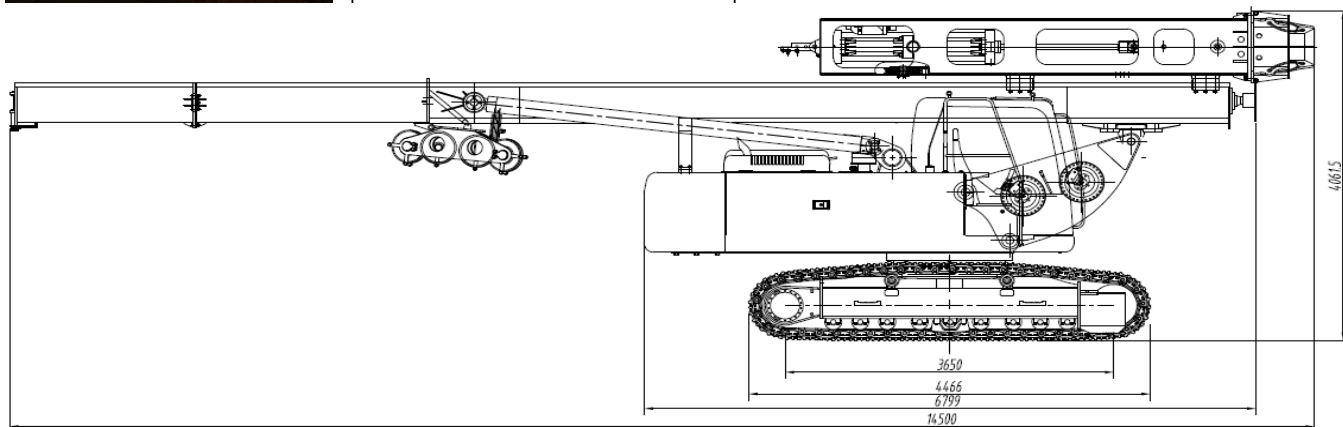
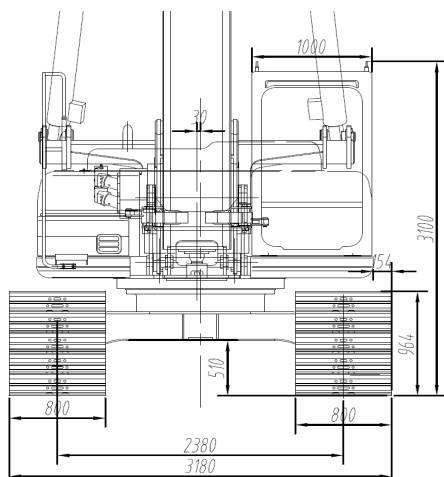
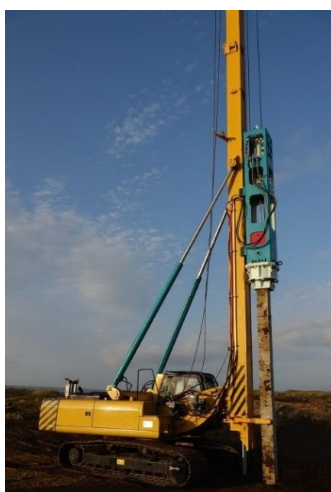
## Terms & Conditions

Specifications	As offered in our above quotation.
Price	Mentioned prices are excluding sales taxes, import duties and custom facilities
Delivery	Ex works Netherlands (3 machines on stock available)
Delivery time	Direct available
Payment	Per Discussion
Currency	All prices are in Euro (EUR)
Seller	Dutch Piling Equipment BV
Validity	This offer is valid for 2019

We trust to have made you an attractive offer and look forward to your reply.

Best regards

Dutch Piling Equipment.



IBAN: NL24INGB 0009028930 EUR

BIC: INGBNL2A

KVK: 72586796

VAT: NL859163878 B01

All our quotations, all orders placed with us, are subjected to the METAALUNIE CONDITIONS

Products you purchase remains property of DPE till entire invoice amount is paid